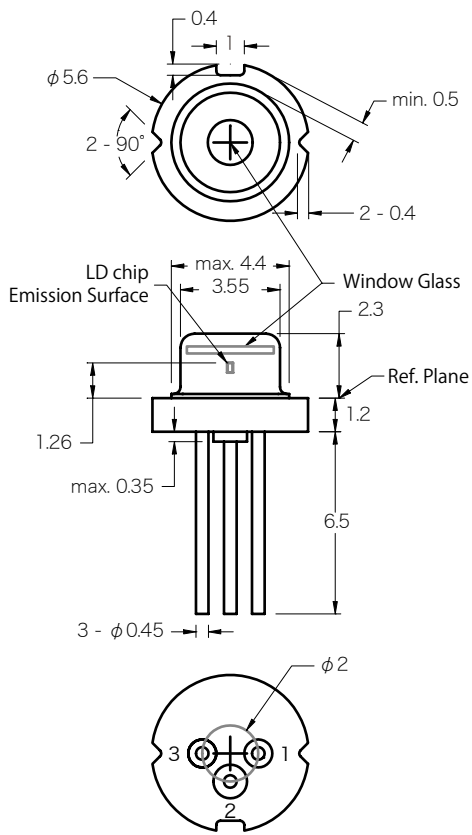


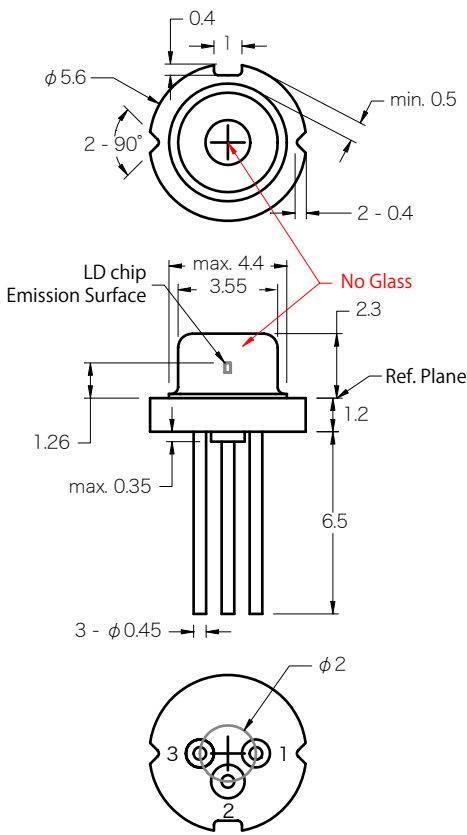
T type

Standard $\phi 5.6\text{mm}$ TO-CAN



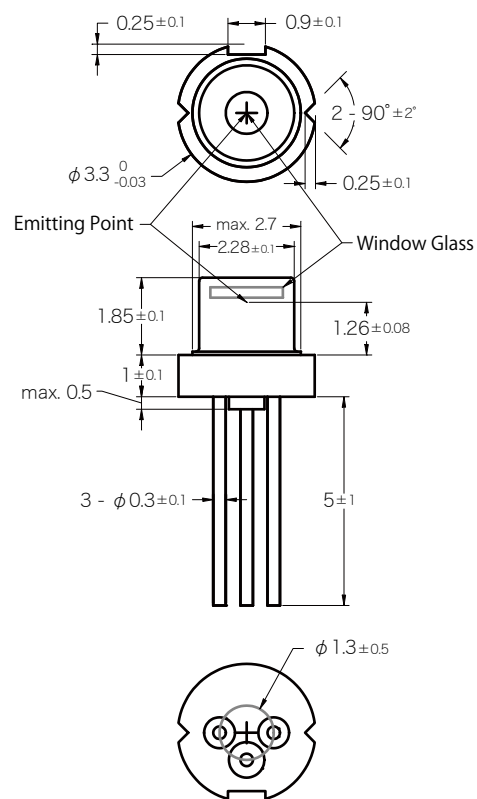
G type

Standard $\phi 5.6\text{mm}$ TO-CAN
(Cap without window glass)



S type

Standard $\phi 3.3\text{mm}$ TO-CAN



C type

C mount for Laser projection / display

